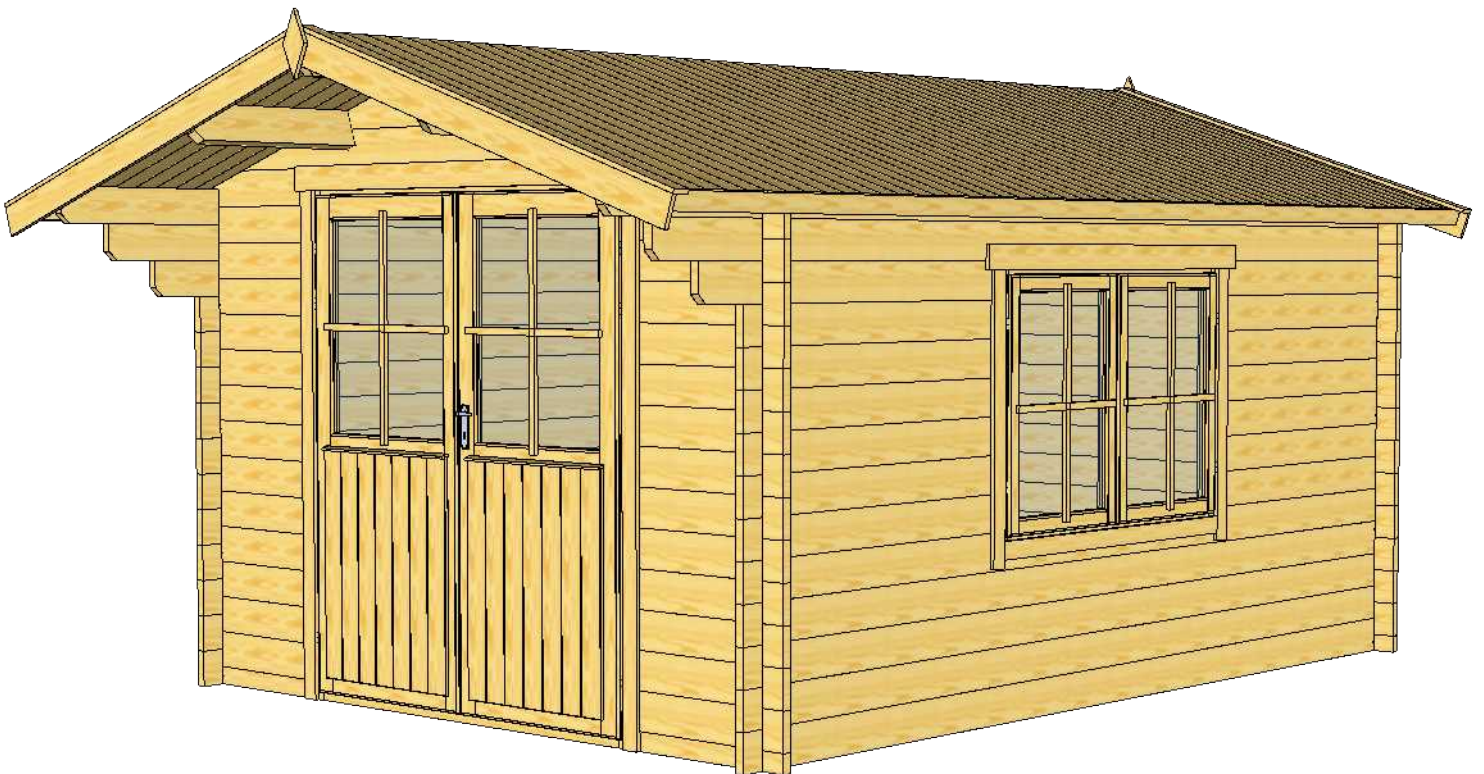


S-43

Package number S43/0

PAMPLONA 3,0x4,0

Manual



QC checked

Pamplona 3,0x4,0 LIST

Pos	Size, mm h x b x l			34mmQuantity	Destination
3	34	67,5	3000	1	Wall B
3a.	34	67,5	670	2	Wall A
4	34	135	3000	13	Wall B
5	34	135	670	26	Wall A
6	34	135	4000	15	Wall C, D
6.1	34	135	4000	1	Wall C, D
6a	34	135	1315	13	Wall C, D
7	34	135	4203	1	Wall C, D
7a	34	135	1518	1	Wall C, D
7b	34	135	4406	2	Wall C, D
7c	34	135	4690	2 + 1	Wall C, D
8	34	540	3000	1	Vault
8a	34	540	3000	1	Vault
9	44	140	4690	1	Rafter
9a	44	140	4690	2	Rafter
10	16	90	1740	105	Roof board
11	16	90	1800	4	Wind board
11a	16	65	1 800	4	Wind board
12	16	65	(4690) 2345	(2) 4	Roof board
13				2	Diamond
14	16	65	1335	2	
15	16	65	1070	4	
15a	16	90	1520	2	
16	16	65	1890	4	
16a	16	90	1760	2	
18				1	Window
19				1	Door

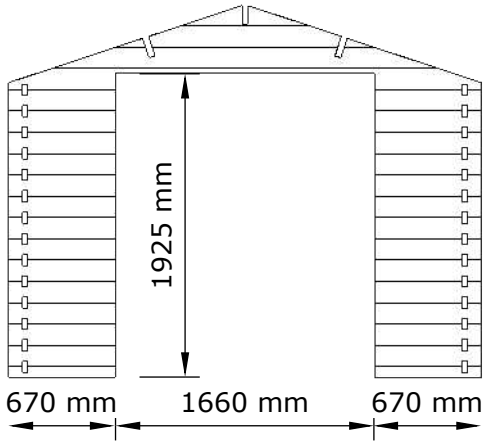
Recommendations.

It is recommended to install a ventilation system in the house.

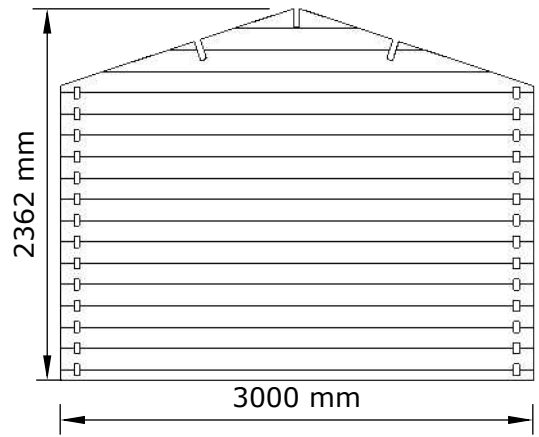


Assembly of the house requires at least minimum knowledge in the field of assembly of wood products. Otherwise, we recommend hiring a specialist.

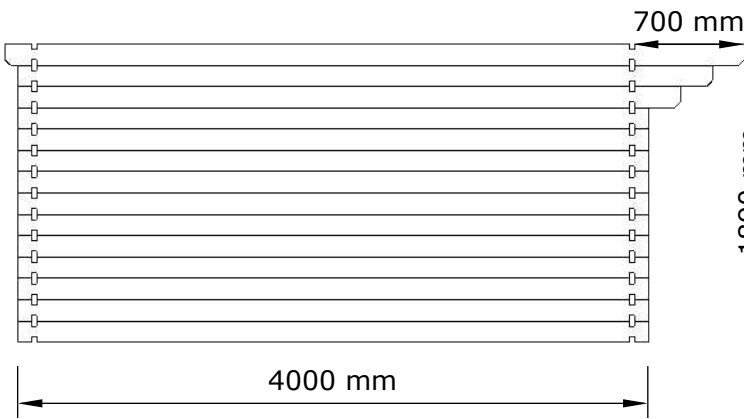
A



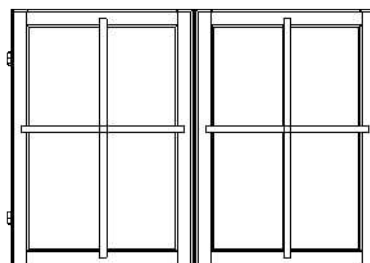
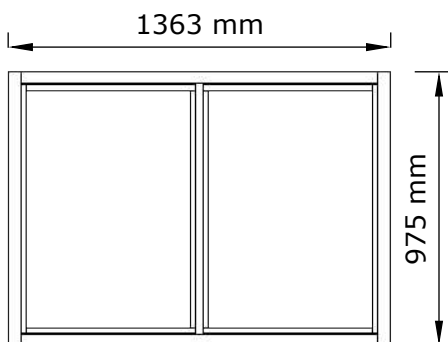
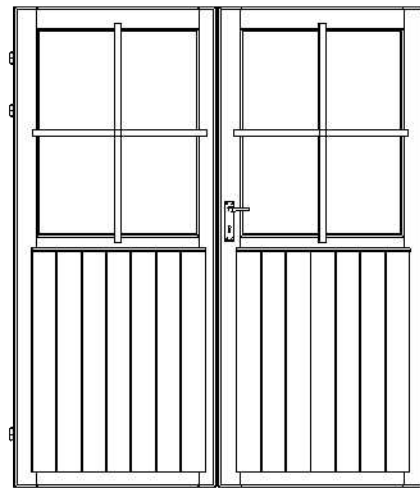
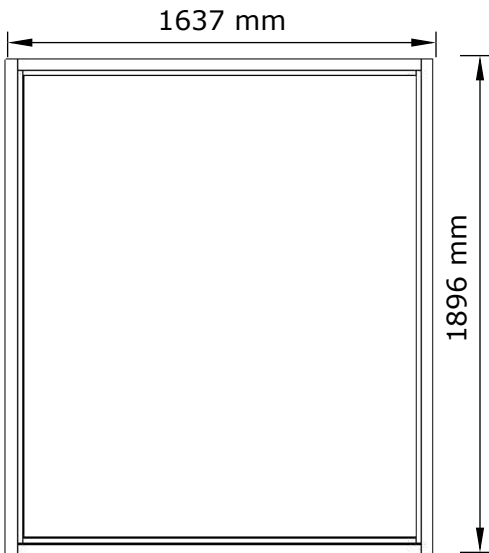
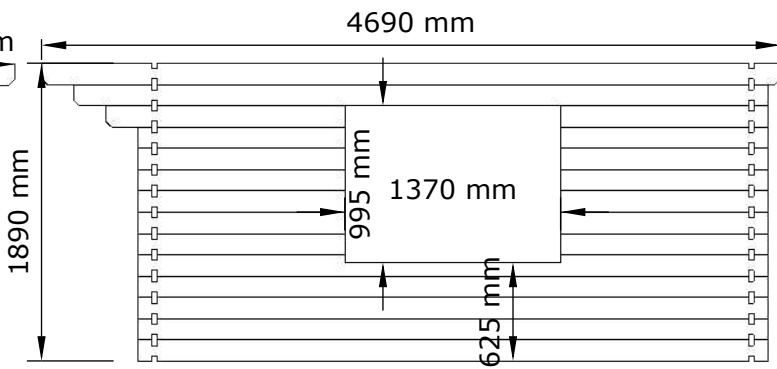
B

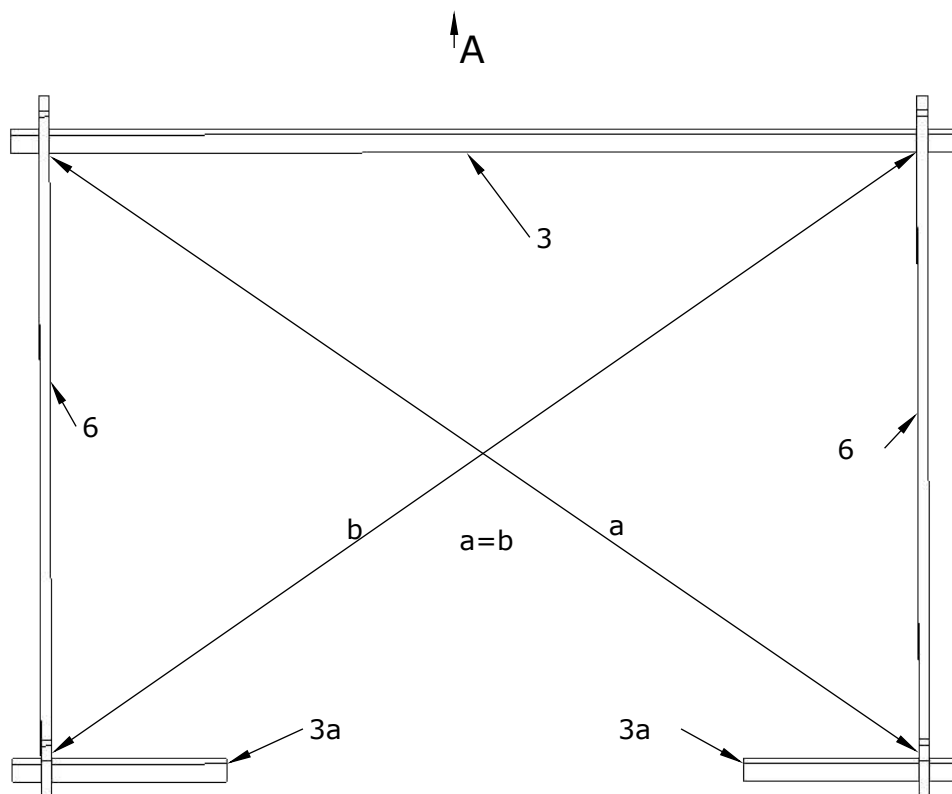
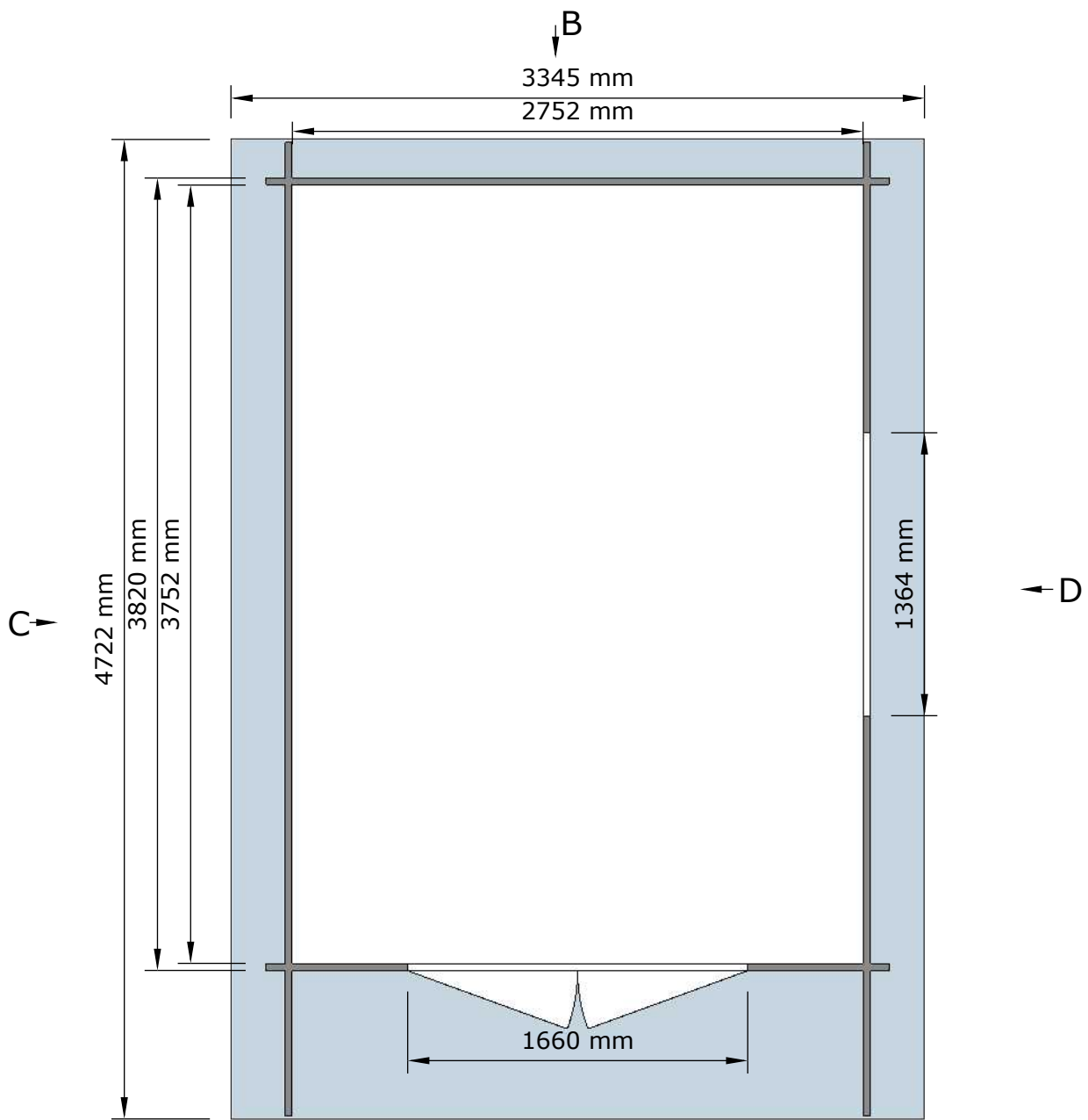


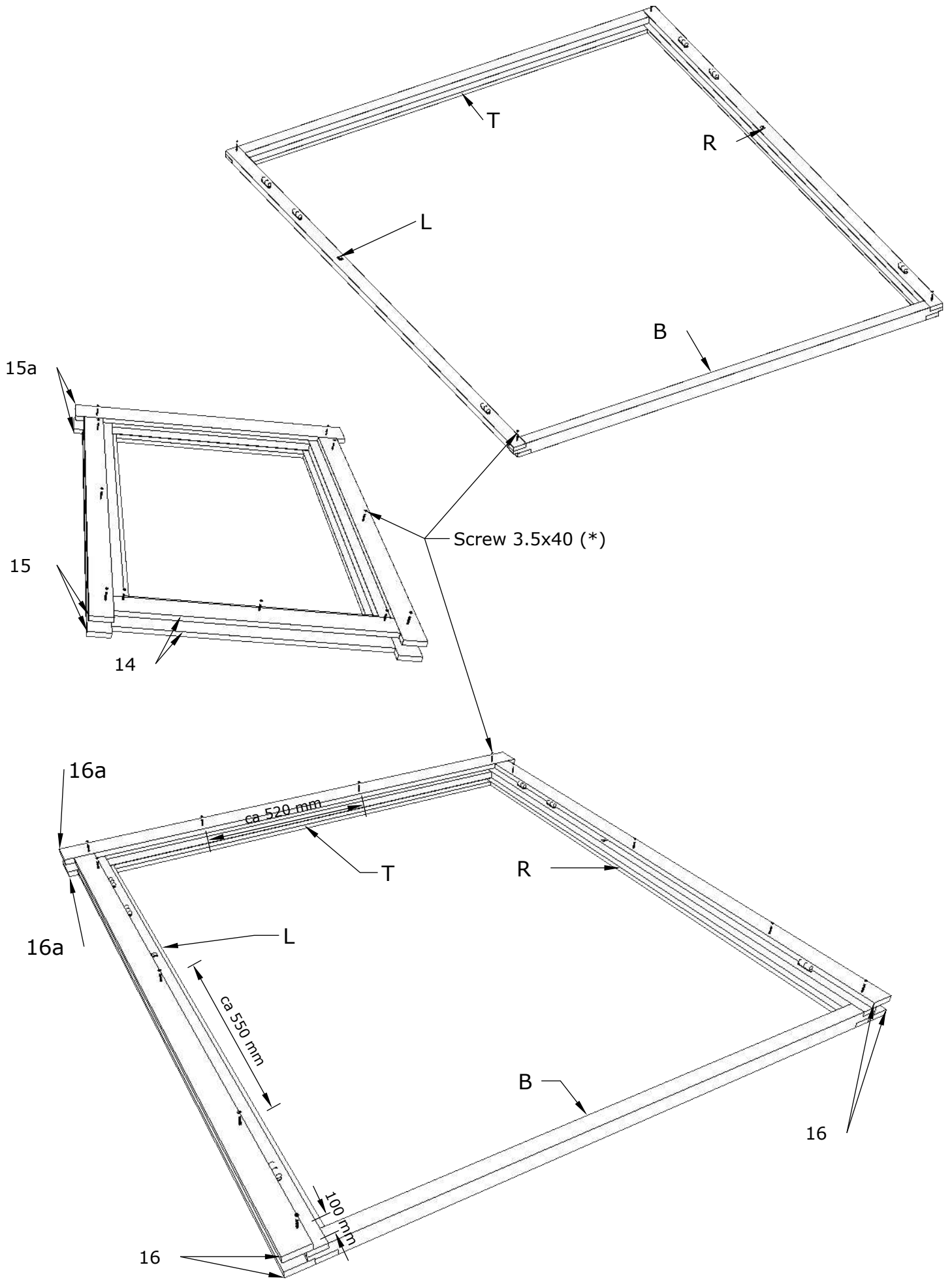
C



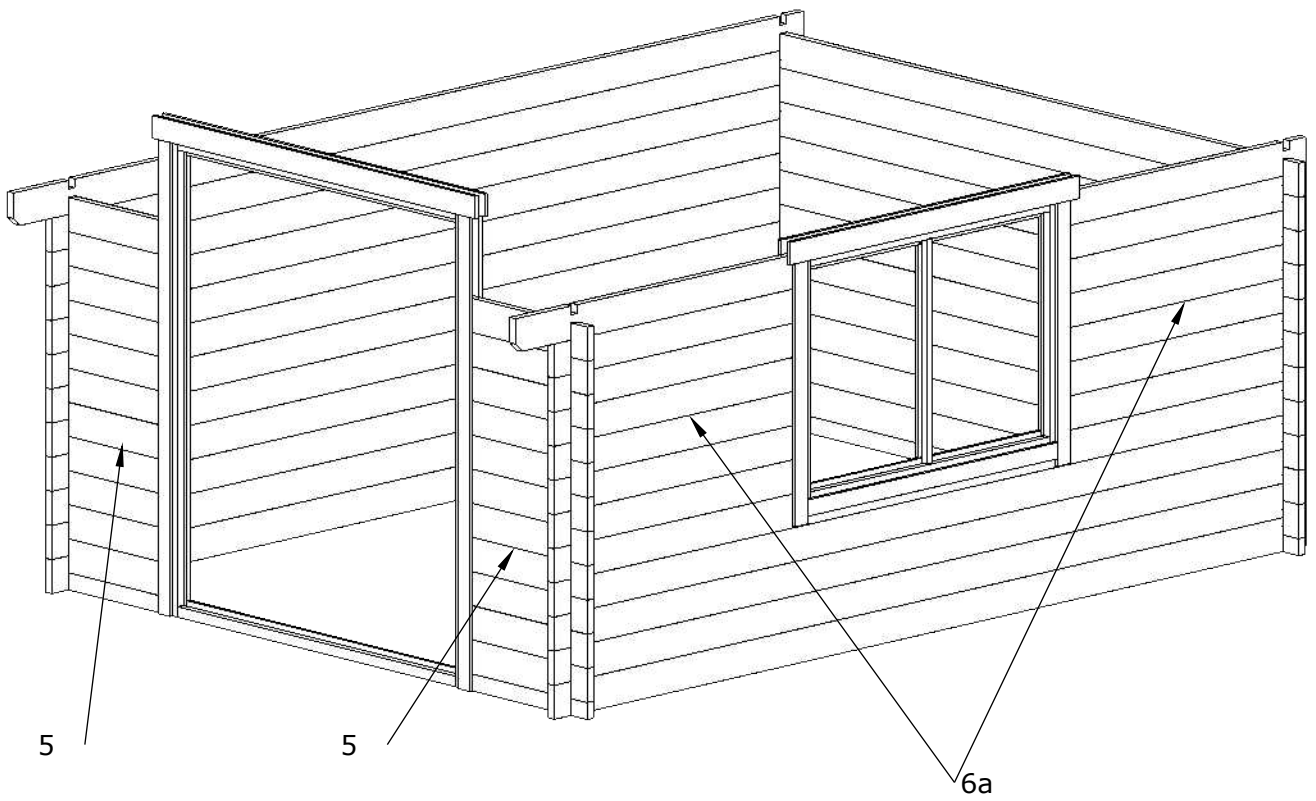
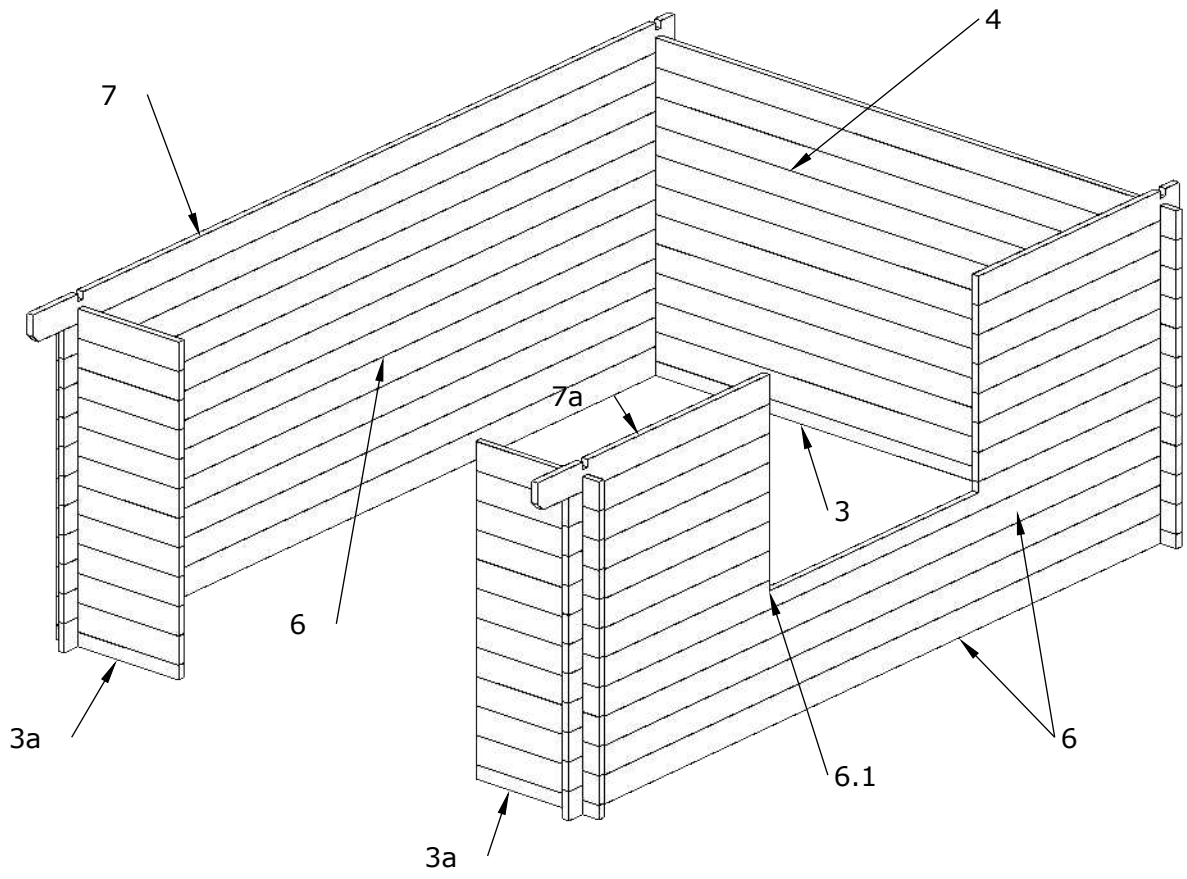
D

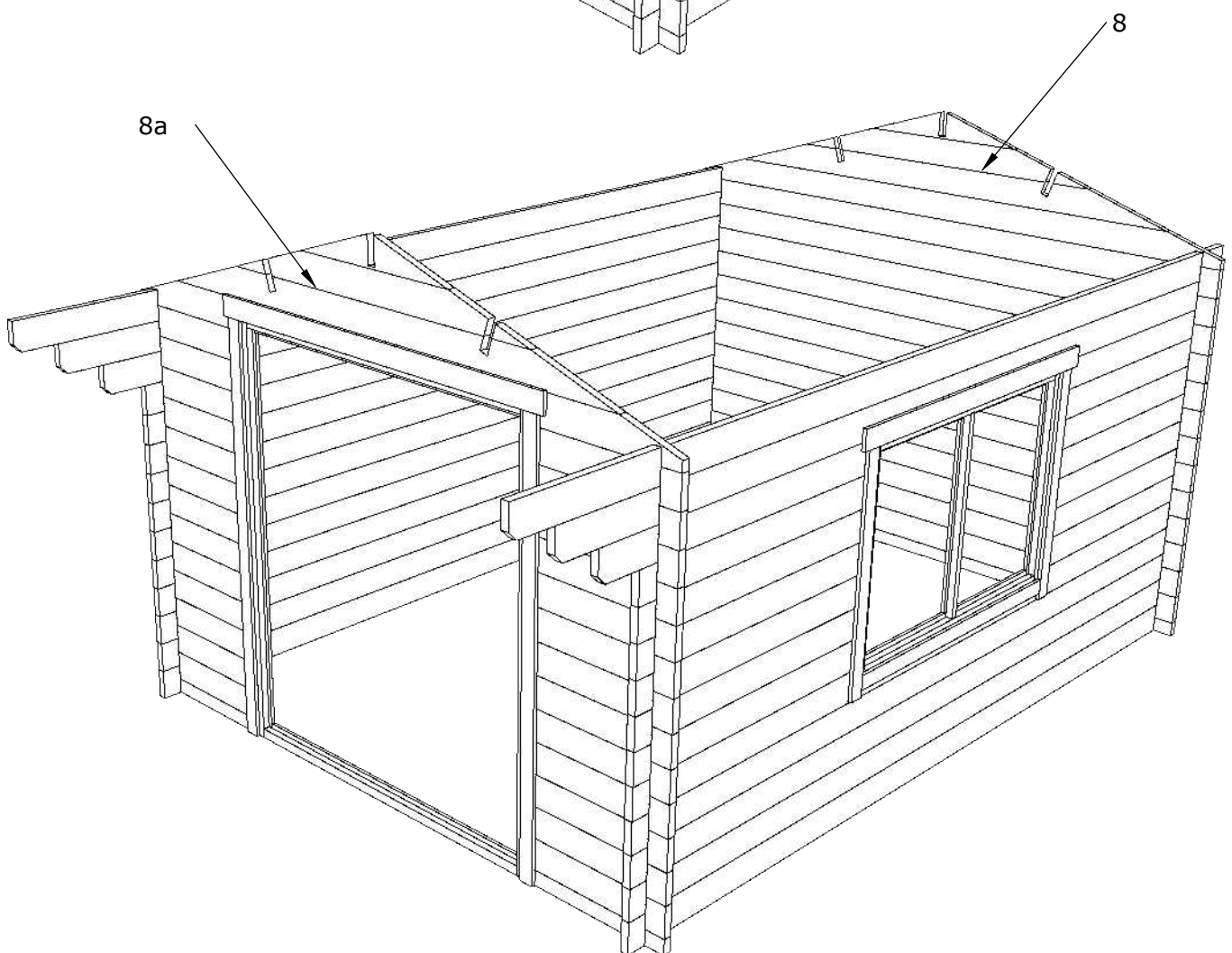
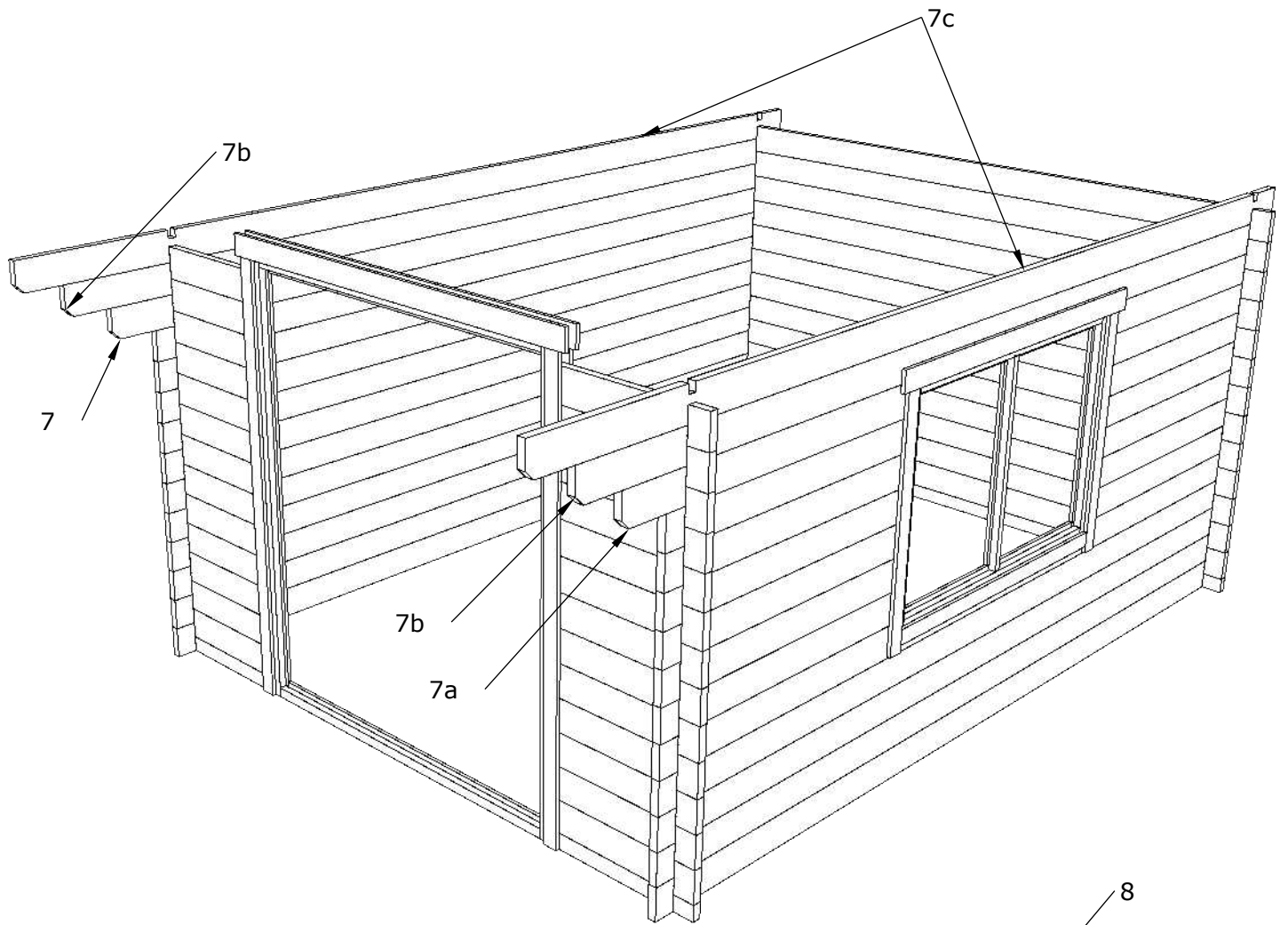


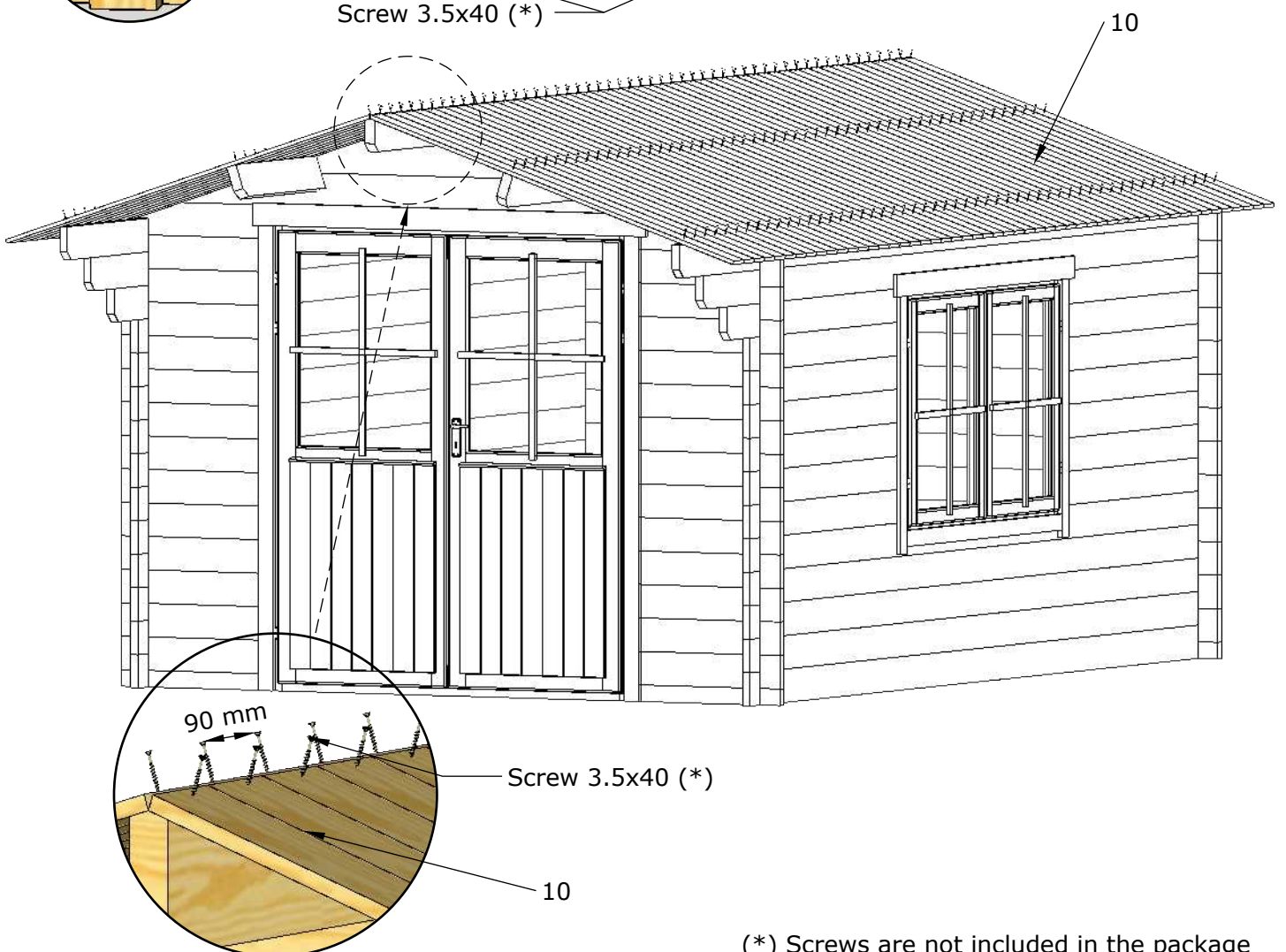
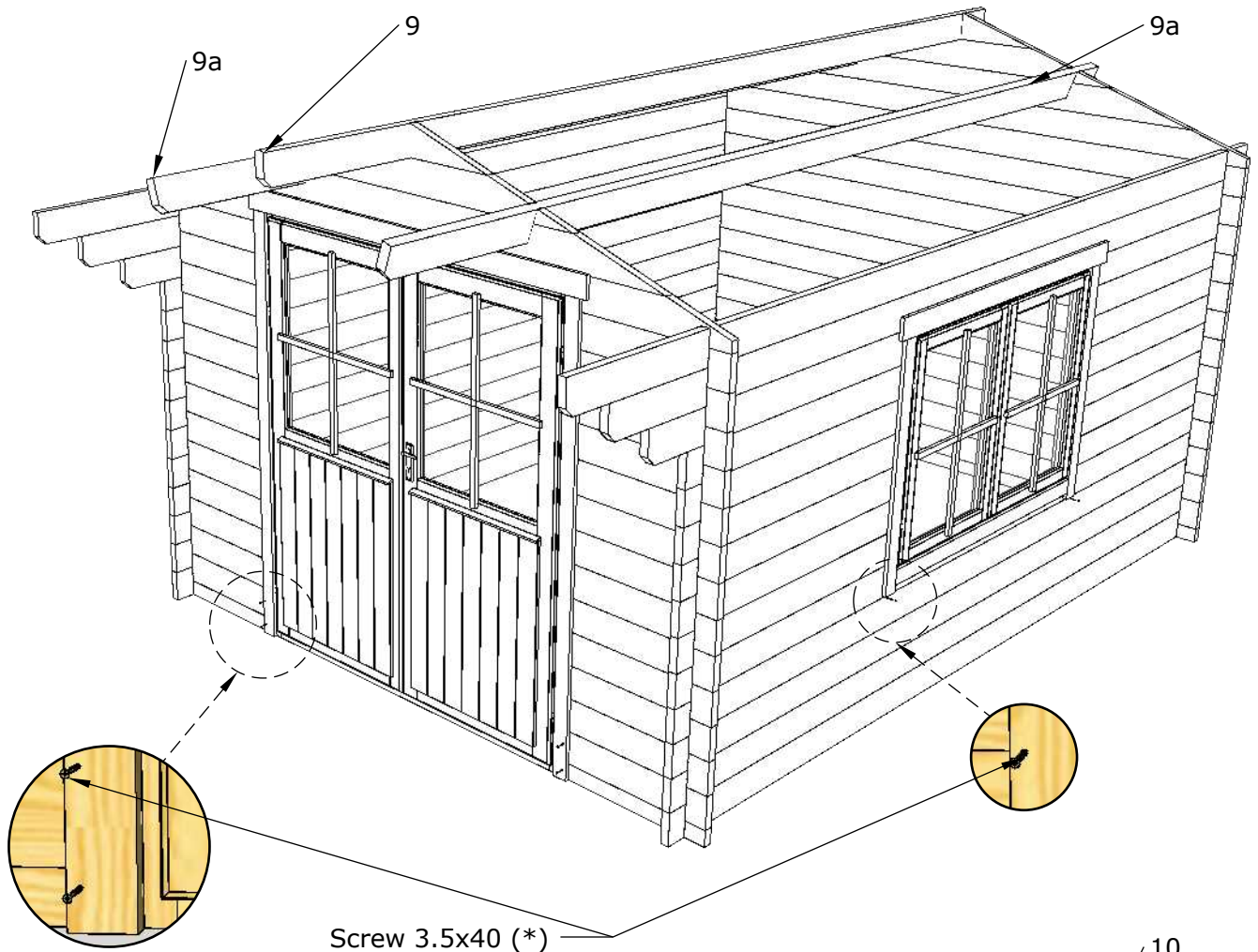




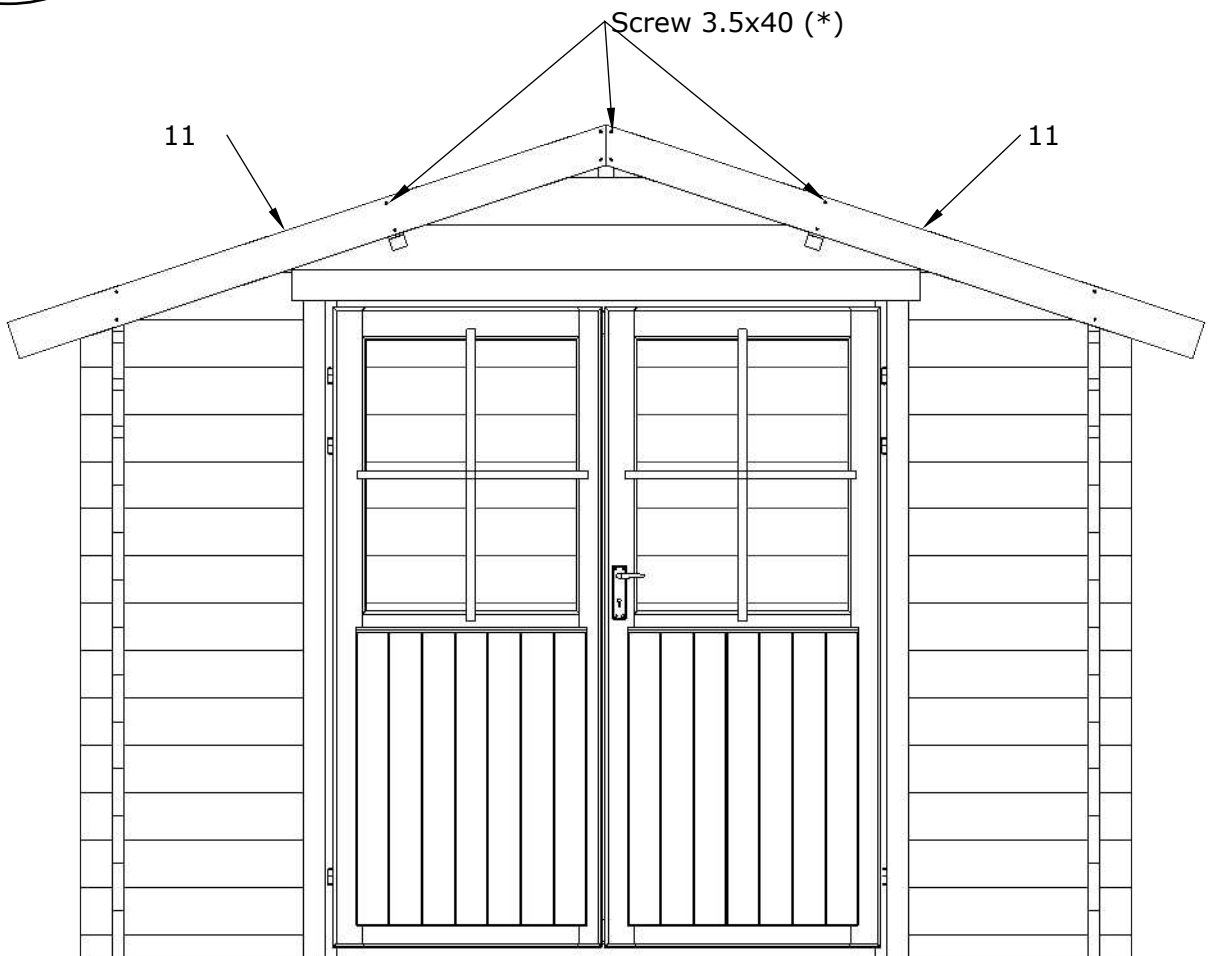
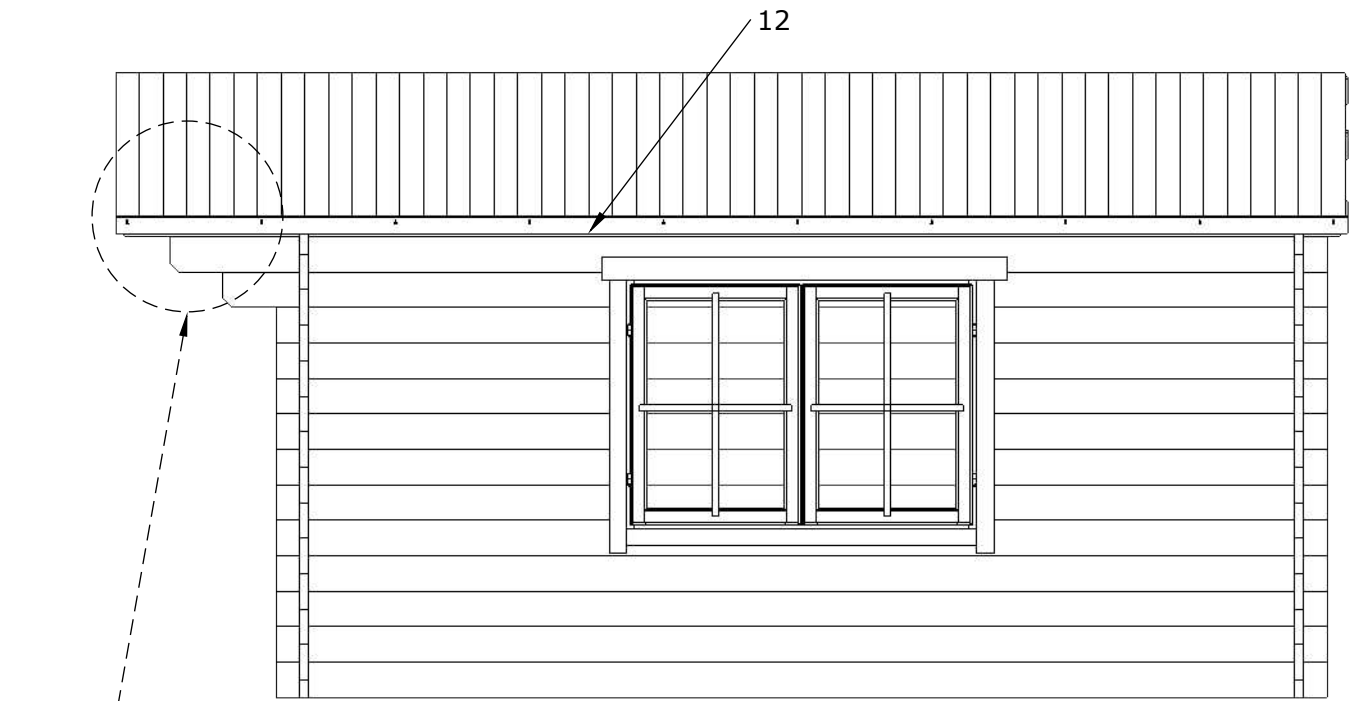
(*) Screws are not included in the package



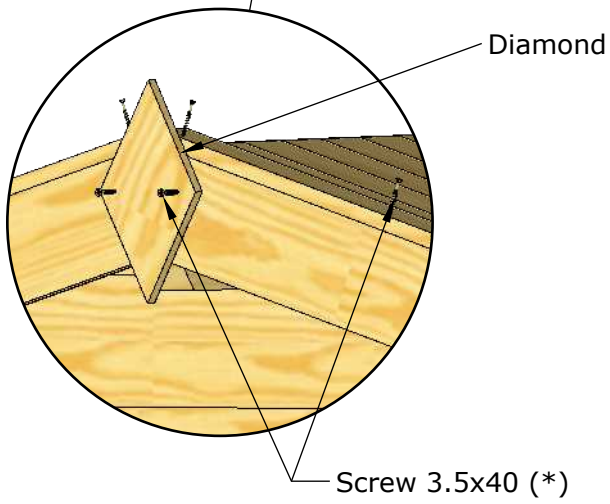




(*) Screws are not included in the package



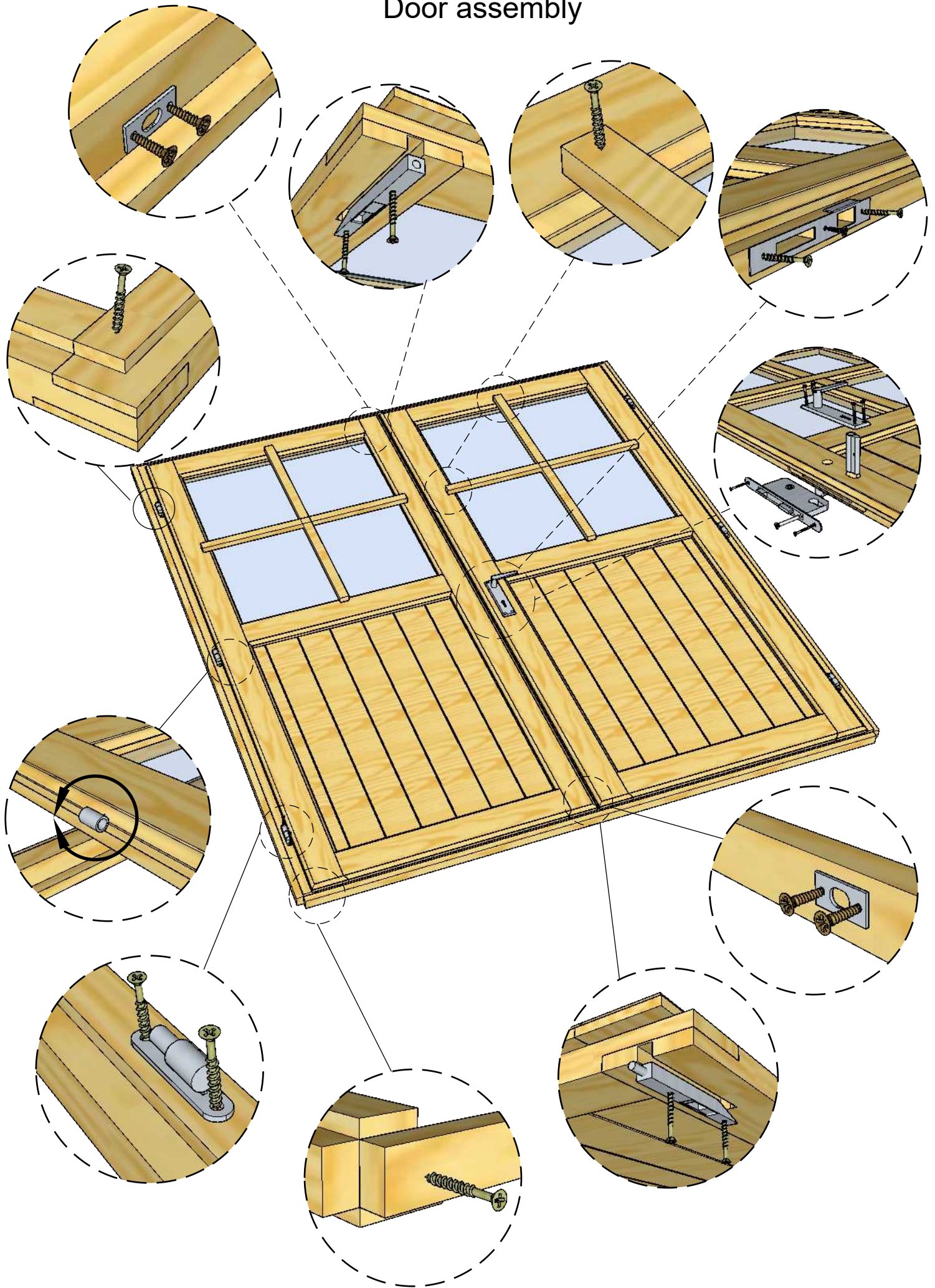
(*) Screws are not included in the package



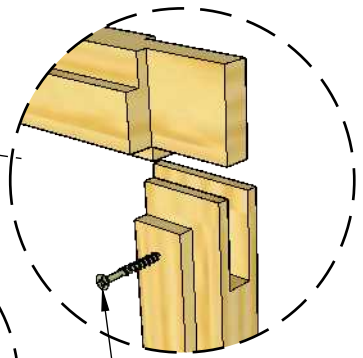
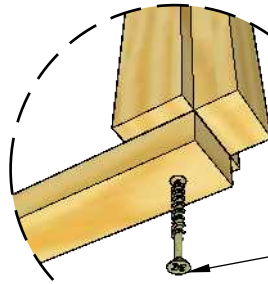
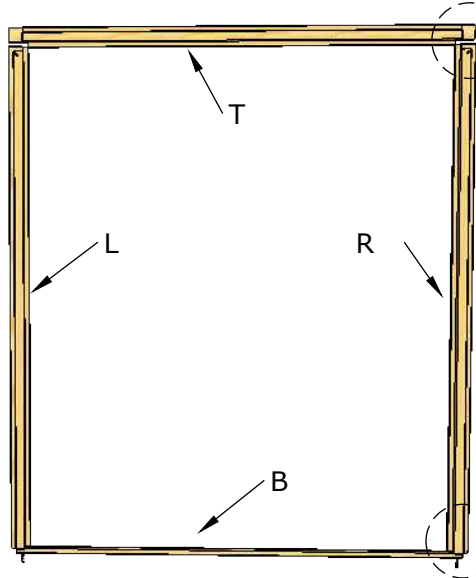
(*) Screws are not included in the package

The guide is illustrative. This guide is not project specification.

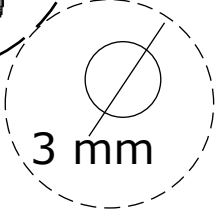
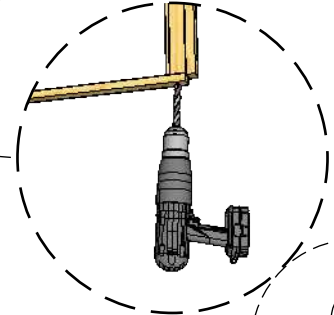
Door assembly



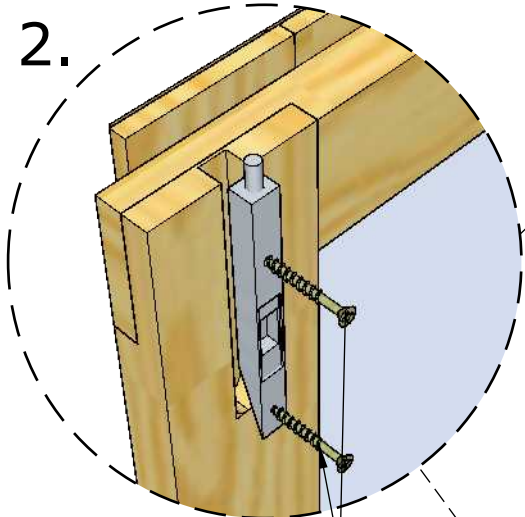
1.



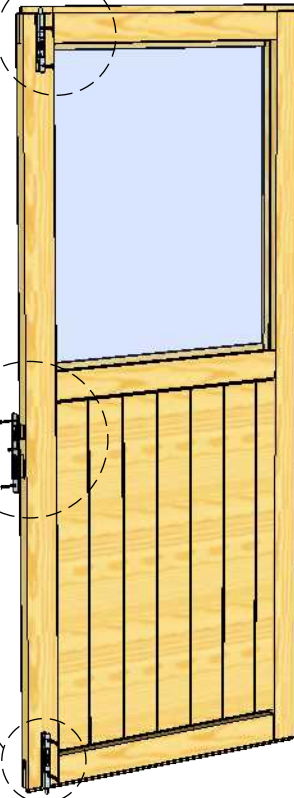
3.5x40*



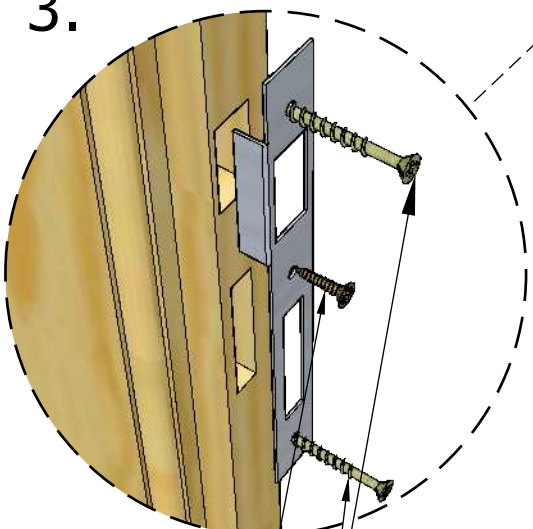
2.



3x30

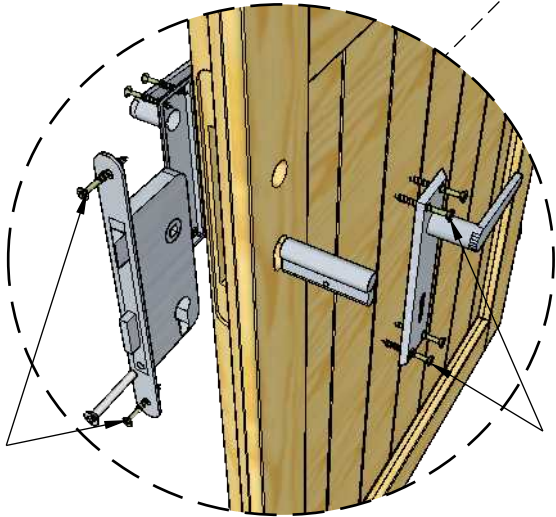
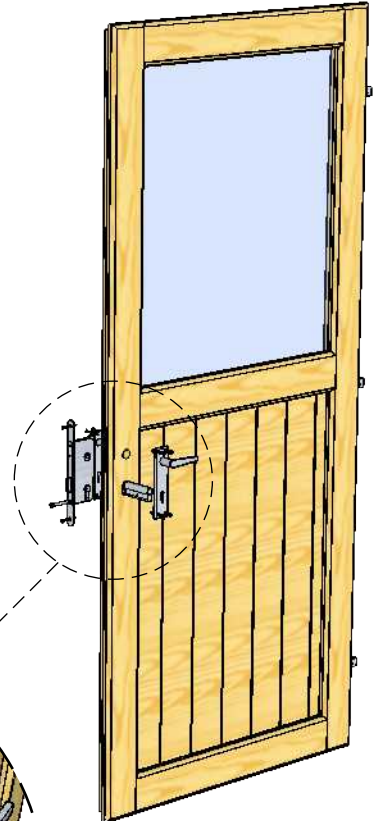


3.



3x16

3x30

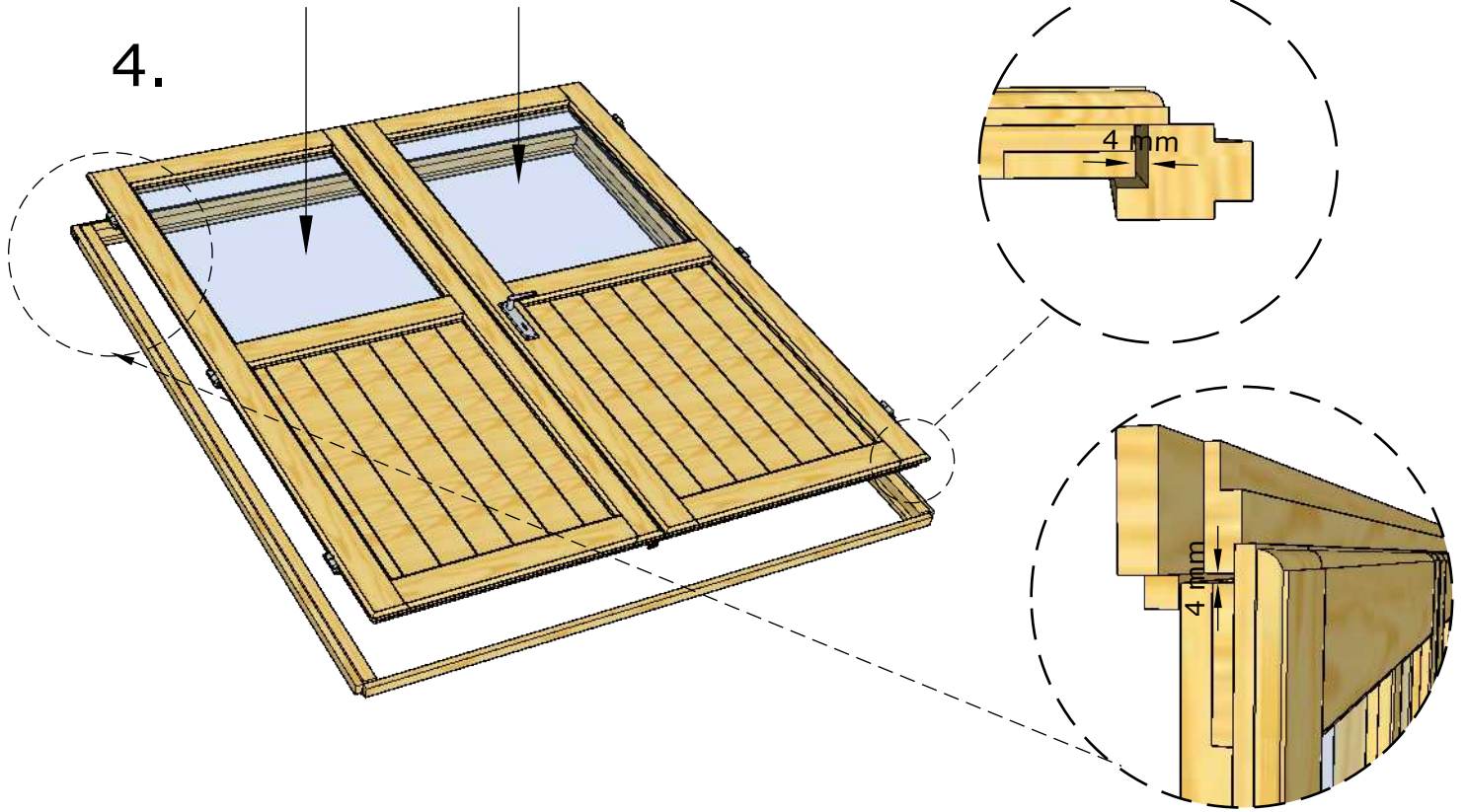


3.5x40

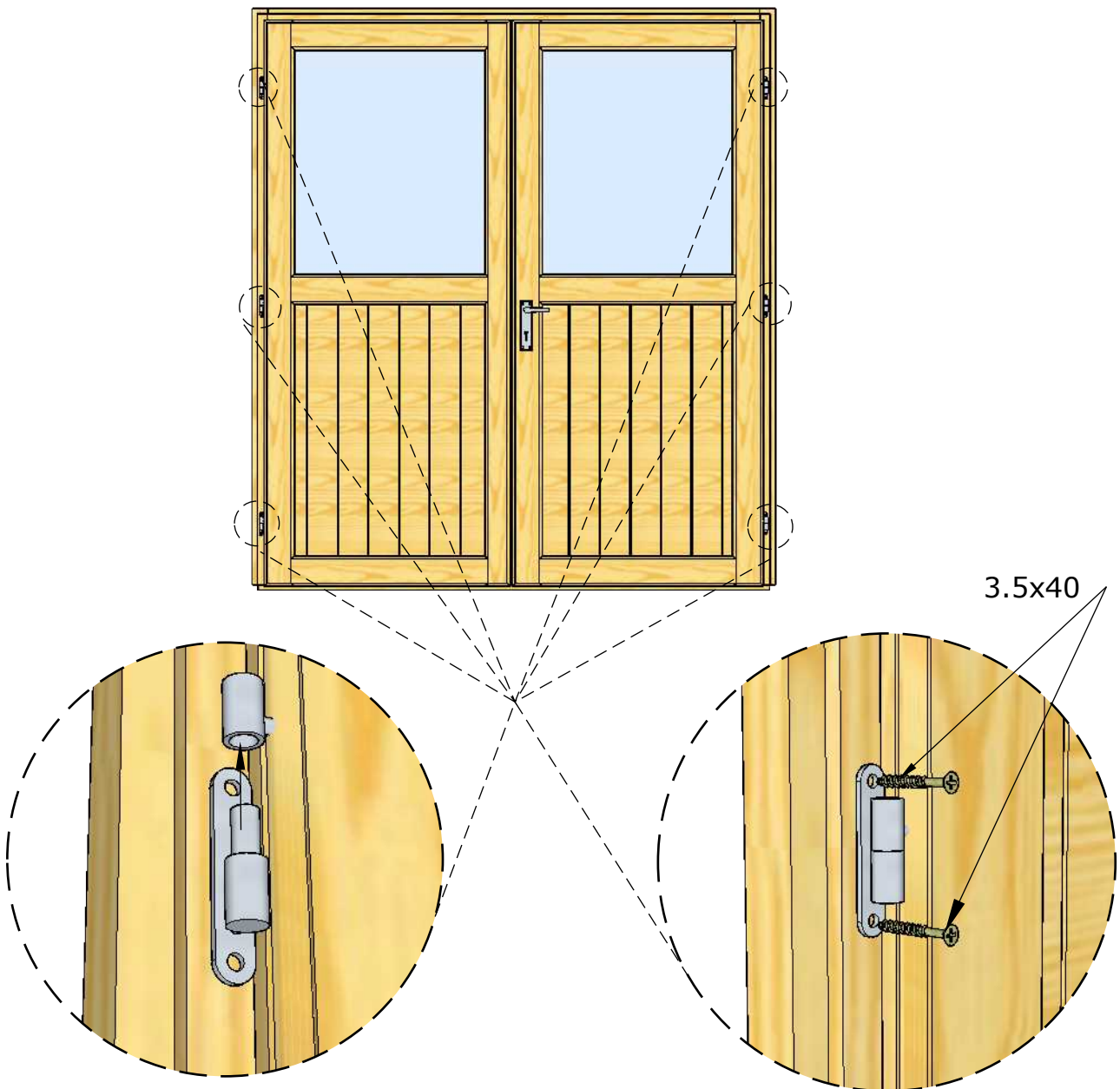
3.5x25

(*) Screws are not included in the package

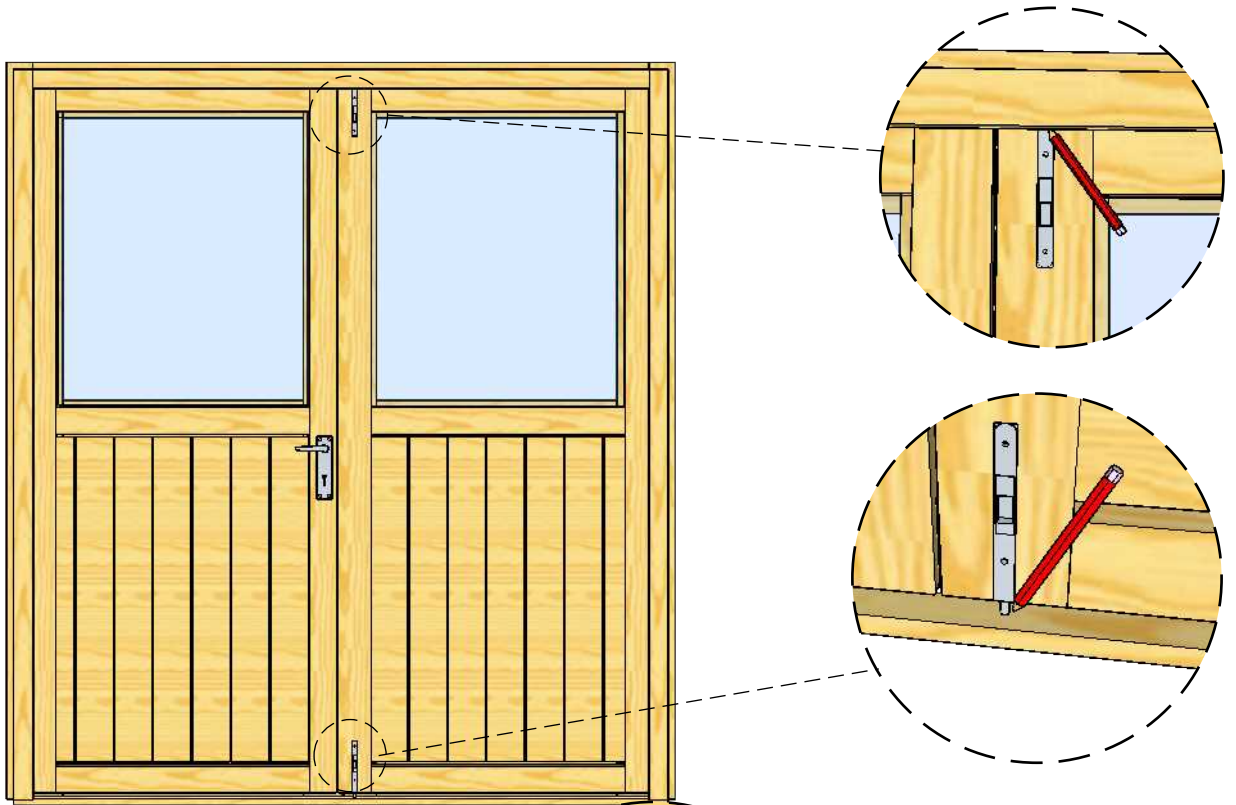
4.



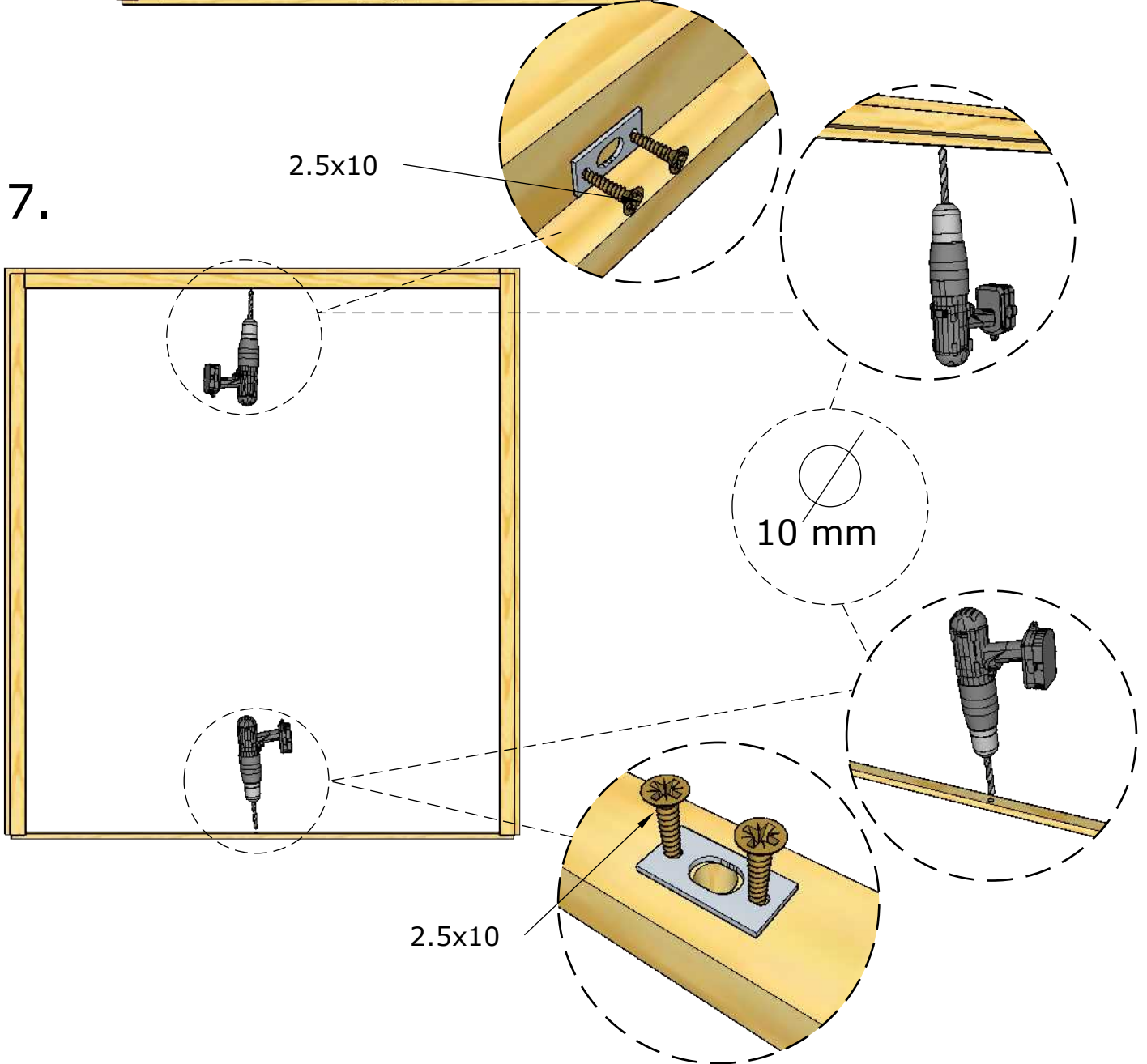
5.



6.



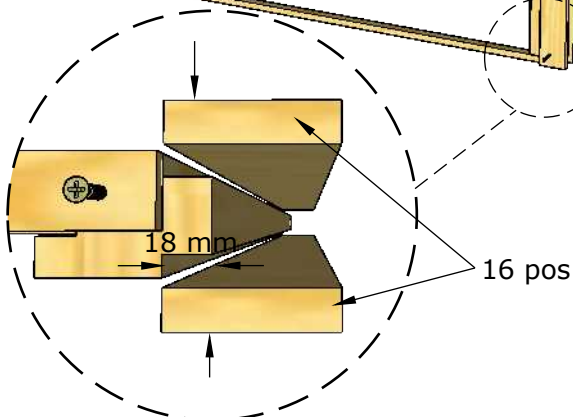
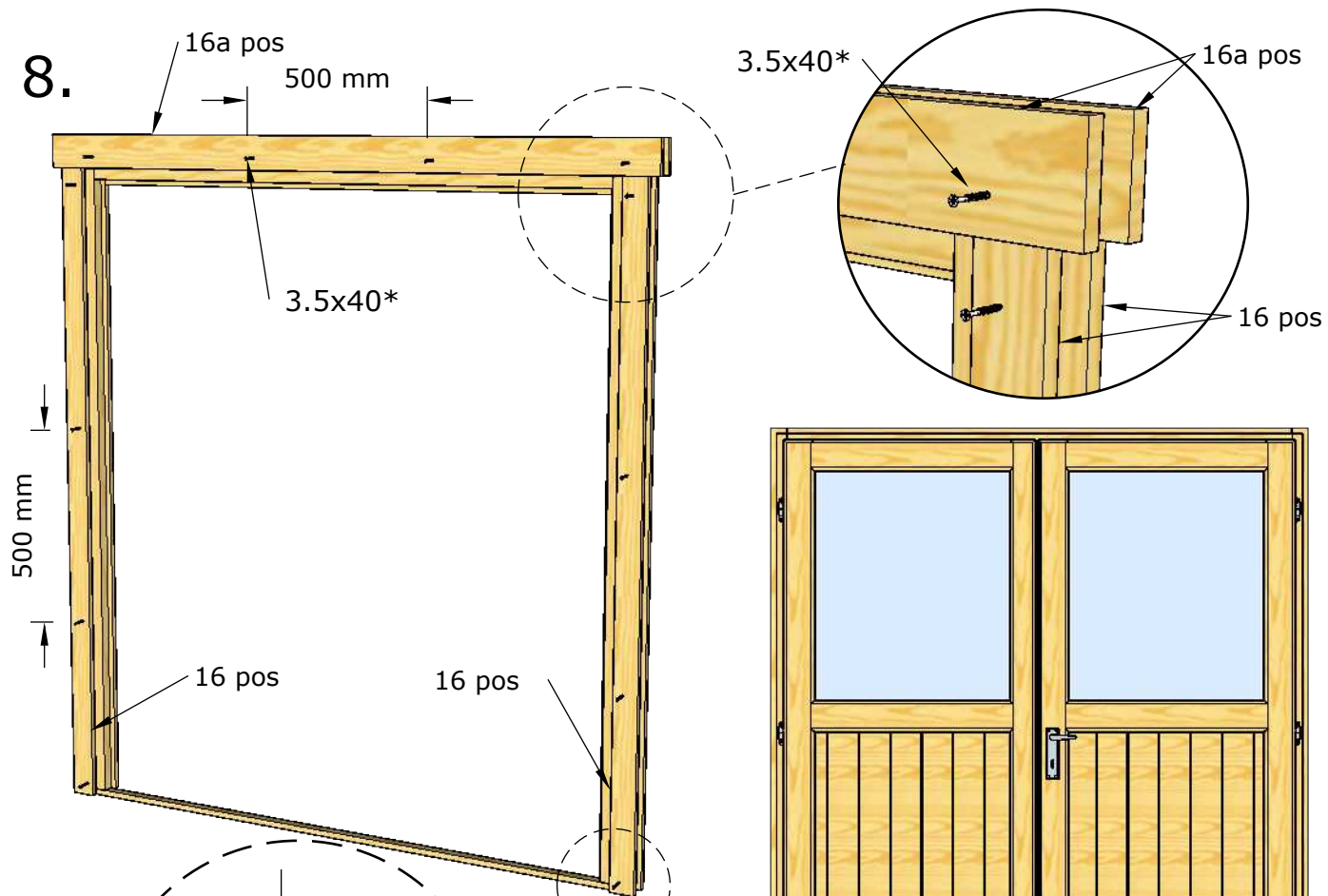
7.



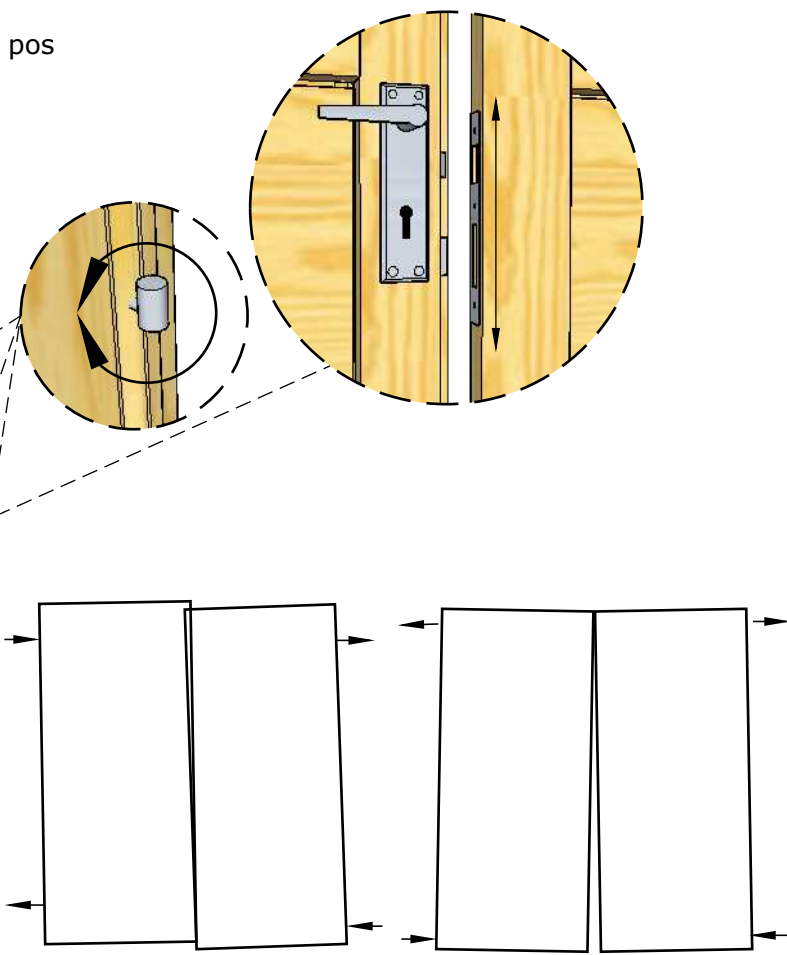
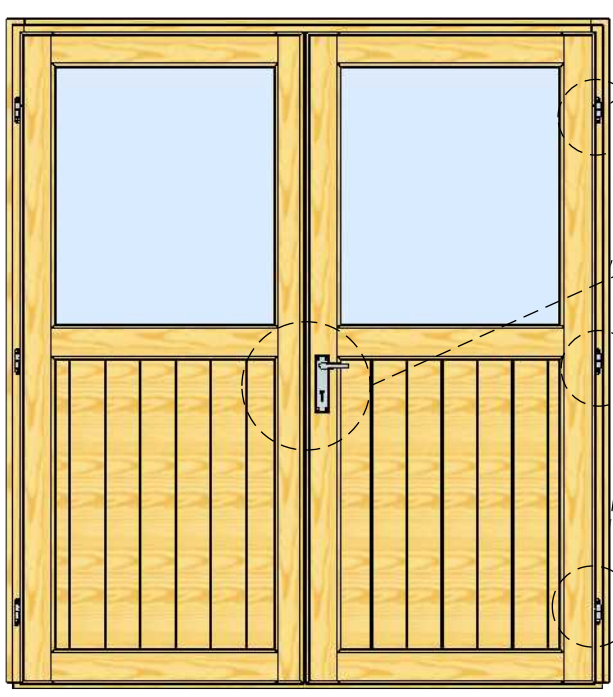
2.5x10

10 mm

2.5x10

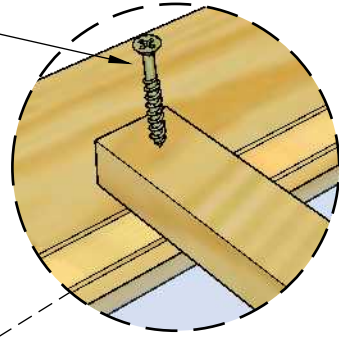


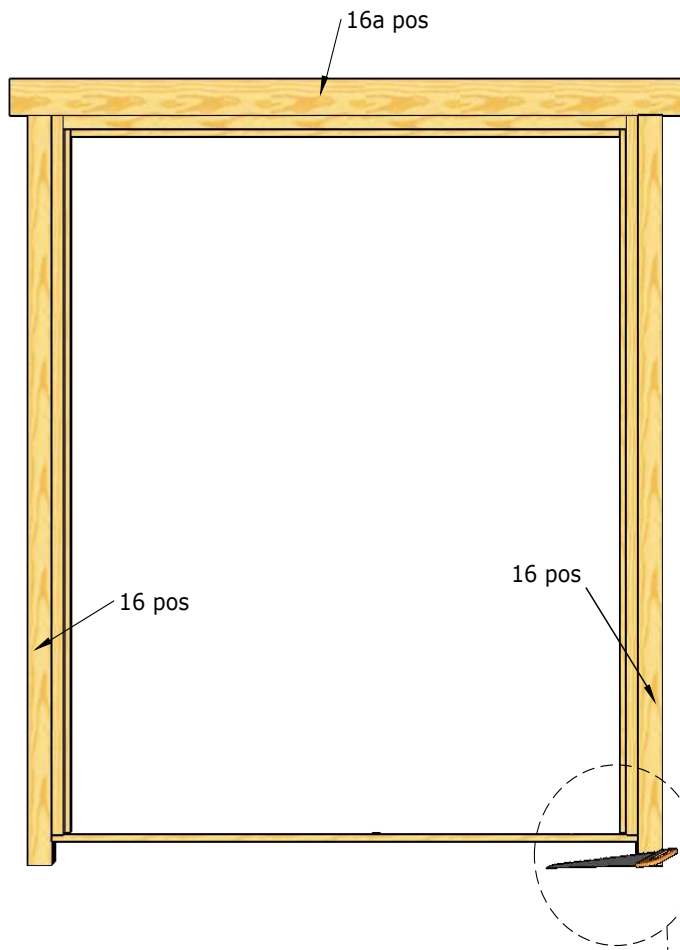
9.



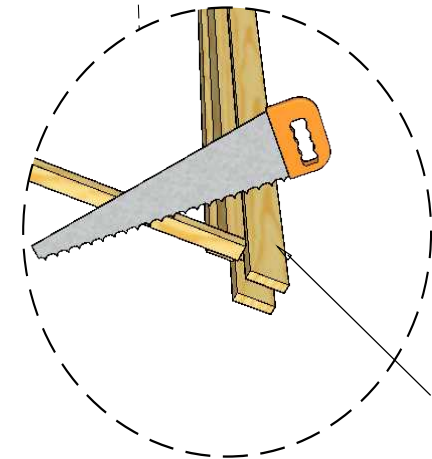
(*) Screws are not included in the package

3,5x20





Cut pos 16 if too long



The guide is illustrative. This guide is not project specification.

Window

Normal ca 25 mm
min-max ca 5-90 mm

Door

Normal - ca 40 mm;
min - ca 5 mm;
max - ca 90 mm

